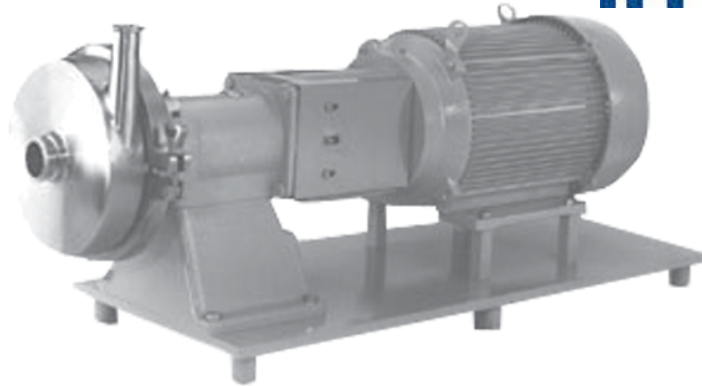




**Waukesha
Cherry-Burrell**

® An SPX Process Equipment Operation

**High Pressure
Centrifugal Pumps
Models
P2085HP and P2085HPLV**



High Pressure Centrifugal Pumps Models P2085HP and P2085HPLV

Features

- Manufactured for recirculating service in reverse osmosis and other membrane systems operating up to 1000 psi.
- Sanitary construction for food and dairy processing service.
- Strong cast iron bearing frames, that provide support for the pump independent of the motor.
- Coupling alignment is assured by motor flange adapter which ensures longer pump life by reducing coupling wear, bearing loads and improved shaft seal conditions.
- Large bearings with non-wearing labyrinth seals for longer life; low maintenance.
- Equipped with a balanced double shaft seal with buffer fluid ports on the top and bottom to permit complete removal of air/vapor from the seal chamber.
- Impeller is keyed and bolted to the large diameter stainless steel shaft. A balance drum is incorporated in the impeller to reduce axial shaft loads on thrust bearing.
- Mounted on heavy plate steel bases with adjustable sanitary legs.

Specifications

Model P2085HP	
Inlet Size:	2-1/2"
Outlet Size:	2"
*Max. Head:	340 Ft. TDH
*Max. Flow	400 US GPM

* Based on 3500 RPM

Max. Discharge pressure: 1000 psi

Seal: Double Mechanical (Balanced)

Impeller Type: Semi-Open (Balanced)

Inlet and Discharge Fittings: As specified

Max. RPM: 3500

Bearings: Ball

Lubrication: Grease

Coupling: Wood's Type S

Driver: NEMA C Frame Motors (standard)

Model P2085HPLV	
Inlet Size:	2"
Outlet Size:	1-1/2"
*Max. Head:	330 Ft. TDH
*Max Flow:	140 US GPM

* Based on 3500 RPM

Casing: 17-4PH Stainless Steel (polished)

Impeller: 316 Stainless Steel (polished)

Shaft: 316 Stainless Steel

Gaskets/O-Rings: FKM (Fluorocarbon)

Seal Face Product: Silicon Carbide/Silicon Carbide (std.)

Seal Face Flush: Carbon/PUREBIDE (std.)

Bearing Housing: Cast Iron (epoxy paint)

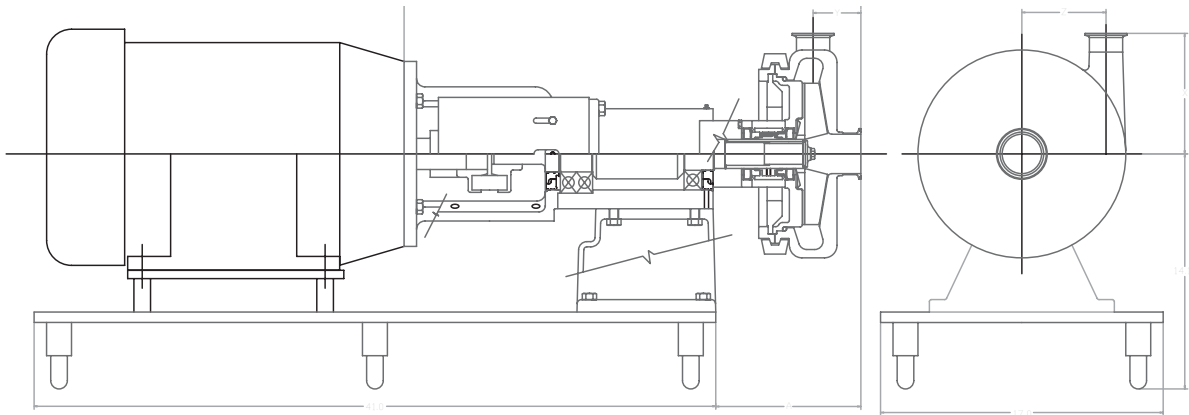
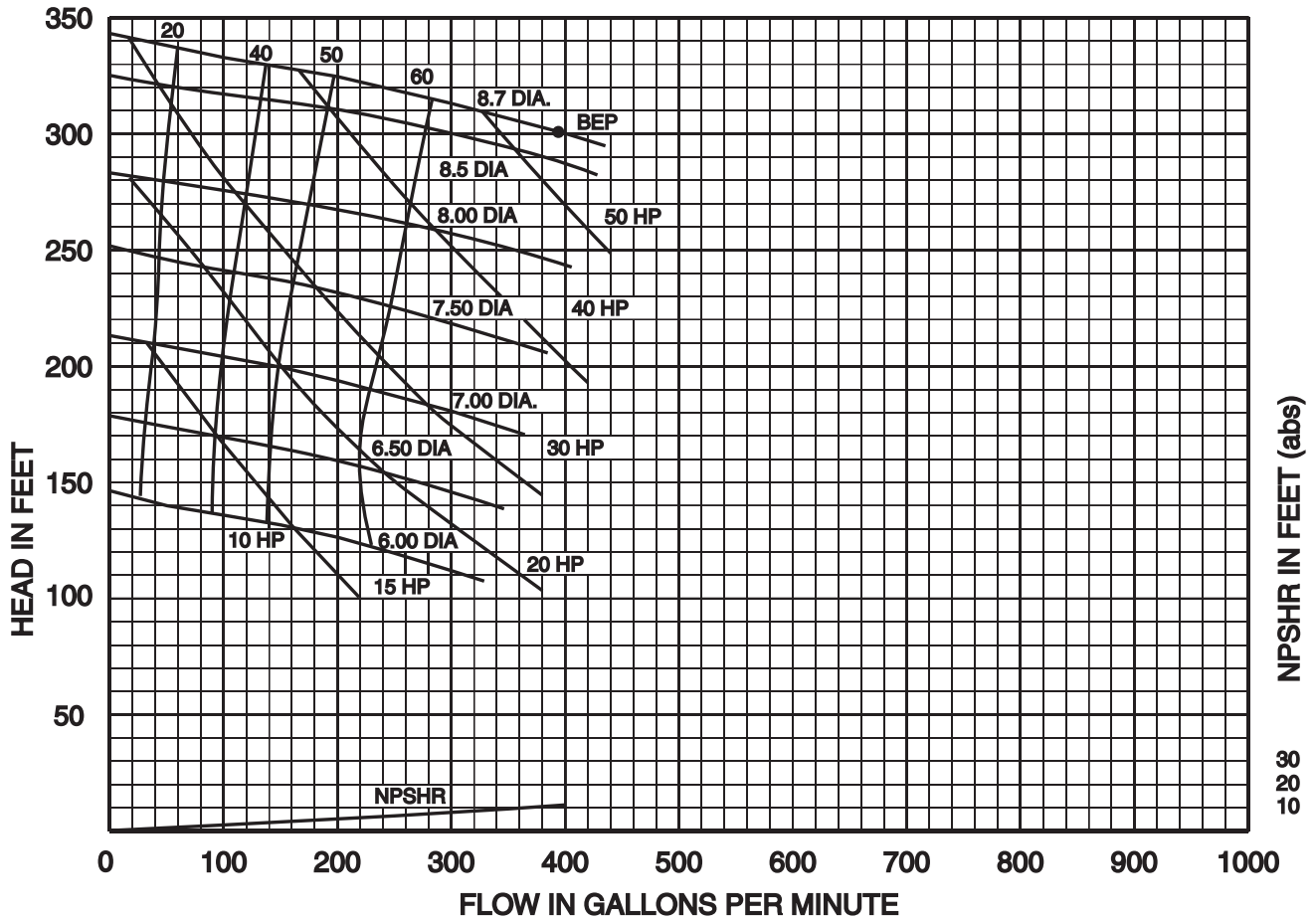
Base: Steel (epoxy paint)

FH-1704A
Effective 6/06
ISO 9001
CERTIFIED



1:2

MODEL B2085HP CAPACITY CURVES 2-1/2 X 2 3500 RPM



® An SPX Process Equipment Operation

611 Sugar Creek Road, Delavan, WI 53115 U.S.A

TEL: 1.800.252.5200 or 262.728.1900 FAX: 1.800.252.5012 or 262.728.4904

Email: info@processequipment.spx.com Web: www.spxpe.com