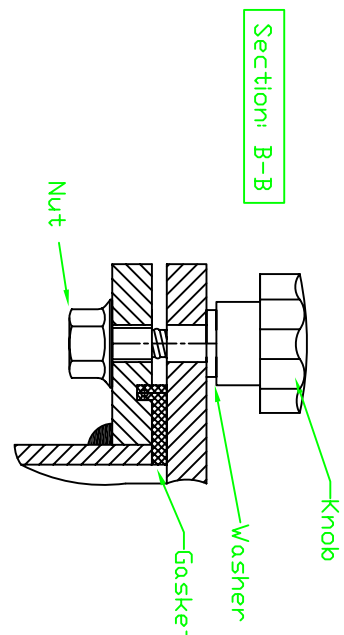
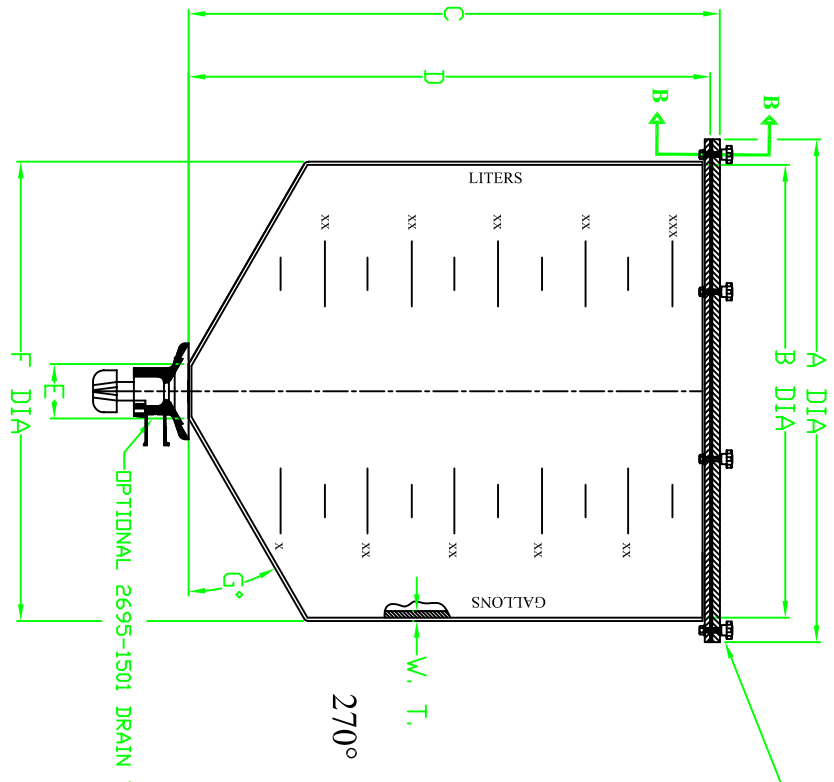


MATERIALS				
TANK	COVER	KNOBS	WASHER	GASKET
PP	PP	PHENOLIC W/3/16 SS THREAD	316 SS	SILICONE
				NUT
				316 SS



"X" KNOBS
EQUALLY SPACED

SIZE CODE	SIZE (NOM VOL U/GAL)	NOM. BRIM CAP. (L)	X/# OF KNOBS/DEG SPACING	A (FLANGE & COVER OD)	B (TANK ID)	C (TANK HGT. W/COVER)	D (TANK HGT. W/O COVER)	E (BOTTOM FLAT)	F (TANK OD)	PP W. T. (NOMINAL WALL THK.)	G° (ANGLE)
0030	30L / 8 GAL		33	17.5	4.45	21.9	5.56	17.5	3.43	17.9	4.55
0050	50L / 13 GAL		55	17.5	4.45	21.9	5.56	17.5	3.43	17.9	4.55
0100	100L / 26.4 GAL		110L	17.4	4.42	21.6	5.49	17.4	3.29	17.4	4.42
0200	100L / 26.4 GAL		110L	17.4	4.42	21.6	5.49	17.4	3.29	17.4	4.42
0500	500L / 125 GAL		880	31.4	7.98	41.7	10.59	31.4	51.7	13.13	4.9
0800	800L / 211.34GAL		880	51.7	13.13	49	12.45	51.7	83.6	19.6	4.83
1400	1400L / 369 GAL		1500L	50.8	12.90	48.1	12.22	50.8	82.3	19.6	4.83
1500L	1500L		36 / 10°	5	1.27	5	1.27	5	3	7.6	3
				32	8.13	42.3	10.74	32	17.9	4.55	22.1
				32	8.13	42.3	10.74	32	17.9	4.55	22.1
				0.31	7.9	0.31	7.9	0.31	0.25	6.4	0.25
				30°				30°			30°

SAINT-GOBAIN PERFORMANCE PLASTICS
 1044 Macarthur Rd., Reading, PA 19605
 TEL: (610) 376-4444 FAX (610) 376-4802

SAINT-GOBAIN PERFORMANCE PLASTICS
 THIS DRAWING IS THE PROPERTY OF SAINT-GOBAIN PERFORMANCE PLASTICS AND IS LOANED UPON THE CONDITION THAT IT IS NOT TO BE REPRODUCED OR TRANSMITTED IN ANY FORM OR BY ANY MEANS, ELECTRONIC OR MECHANICAL, INCLUDING PHOTOCOPYING, RECORDING, OR BY ANY INFORMATION STORAGE AND RETRIEVAL SYSTEM, WITHOUT THE PRIOR WRITTEN CONSENT OF THE CORPORATION'S OFFICE OF LEGAL COUNSEL. ANY UNAUTHORIZED USE OR REPRODUCTION OF THIS DRAWING SHALL BE DEEMED TO BE A VIOLATION OF THE CORPORATION'S INTERESTS AND SHALL BE RETURNED UPON REQUEST.

DESCRIPTION
 Sanitary Conical Bottom Process Tanks

MATERIAL
 2690-PP

TOLERANCES (except as noted)

SCALE	DECIMAL	FRACTIONAL	ANGULAR	CHECKED	REVISION
Full	±	±	±	F. Hoque	A

DRAWING NUMBER 2690 - SERIES

Note:
 This is not a production drawing, but is for informational purposes only, and is subject to change without notice.
 All dimensions are nominal and in inches and / or millimeter as noted