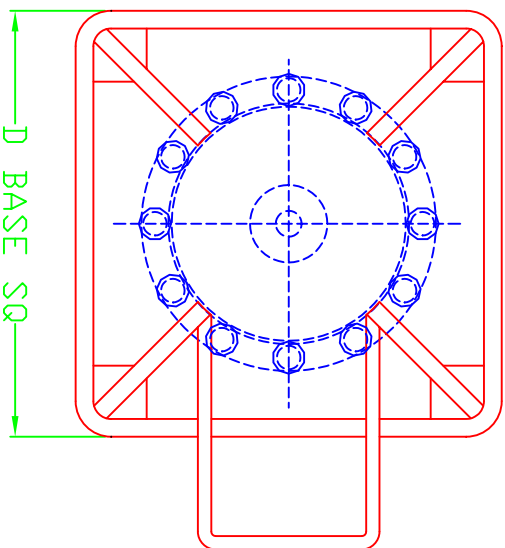
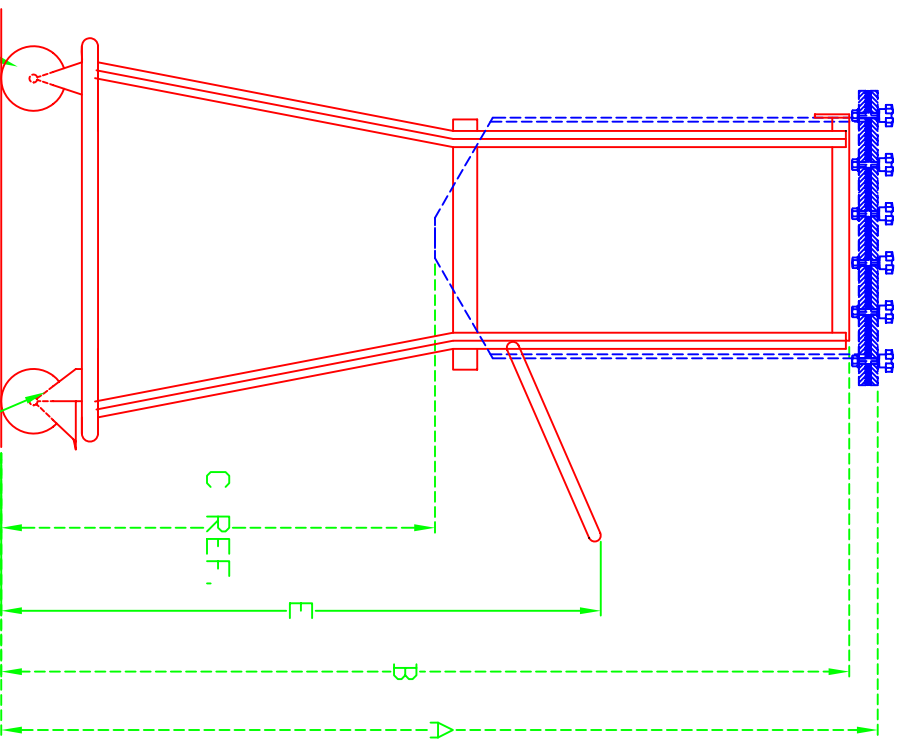



CATALOG NUMBER	2711-0030	2711-0050	2711-0100	2711-0200	2711-0500					
NOM. TANK SIZE (L)	30	50	100	200	500					
FRAME MATERIAL	340SS 2710-XXXX, WHITE EPOXY POWDER-COATED STEEL (2711-XXXX)									
CATALOG NUMBER	2710-0030	2710-0050	2710-0100	2710-0200	2710-0500					
NOM. TANK SIZE (L)	30	50	100	200	500					
FRAME MATERIAL	304 SS									
A (OVERALL HEIGHT W/ TANK)	INCH	MM	INCH	MM	INCH	MM				
B (STAND HEIGHT)	41.9	1064	41.1	1044	54.5	1384	63.2	1605	73	1854
C (TO BOTTOM OF TANK)	39.0	991	39.1	993	52.5	1334	61.3	1557	70.8	1798
D (BASE DIM., SQUARE)	21.5	546	21.5	546	21.5	546	21.5	546	21.3	541
E (FLOOR TO HANDLE)	24.0	610	30.3	770	30.3	770	34.6	879	45	1143
	36.0	914	36.0	914	36.0	914	36.0	914	42.0	1067



NOTE: Tank Not Included

SAINT-GOBAIN

PERFORMANCE PLASTICS

1-295 & Harmony Rd, Box 248, Mickleton, NJ 08056
 TEL: (856) 426-6630 FAX: (856) 423-8182

THIS DRAWING IS THE PROPERTY OF
 SAINT-GOBAIN PERFORMANCE PLASTICS
 AND IS LOANED, UPON CONDITION, THAT IT IS NOT TO BE
 REPRODUCED OR COPIED, IN WHOLE OR IN PART, OR USED FOR
 FURNISHING INFORMATION TO ANY PERSON OR COMPANY
 WITHOUT THE PRIOR WRITTEN CONSENT OF THE CORPORATION
 OR FOR ANY PURPOSE DETRIMENTAL TO THE CORPORATION'S
 INTEREST AND SHALL BE RETURNED UPON REQUEST.

DESCRIPTION

Mobile Tank Stand Assembly for Conical Bottom Process Tanks

MATERIAL See Client	TOLERANCES (except as noted)	DRAWN F. Hoque
-------------------------------	-------------------------------------	--------------------------

SCALE Full	DECIMAL ±	CHECKED
----------------------	---------------------	----------------

DATE 04-15-02	FRACTIONAL ±	REVISION
-------------------------	------------------------	-----------------

ANGULAR ±	REV. DATE
---------------------	------------------

DRAWING NUMBER 2700 SERIES

(2) SS SWIVEL
 CASTERS WITH
 PHENOLIC WHEELS &
 LOCKING BRAKES

(2) SS FIXED
 CASTERS WITH
 PHENOLIC WHEELS