

Lumiglas Luminaire Series USL 05-EX, USL 05-LED-Ex



II 2G Ex d IIC T3/T4/T6/120°C

II 2D Ex tD A21 IP67 T195/T130/T80/T120°C

For mounting on sight glass fittings:

This compact Explosion Proof sight glass luminaire is designed for universal applications in potentially explosive environments. It is ideal for use in combined sight and light-glass arrangements, either as a single flange version or with two separate flanged ports.

Compact yet powerful:

Glare-free illumination; for use with circular weld-type sight glass fittings to DIN 28120 or similar, Flange Bolt-Ons, weld-neck type sight glass fittings MV to DIN 11851, Sanitary Clamp Connections and Visual Flow Indicators.

Optimal design of threaded front lens ensures max. light efficiency

Application: For illuminating the interior of tanks, hoppers, silos, agitators and other - normally closed - vessels and reactors as well as visual flow indicators in potentially **explosive environments**. **Gas:**

Zones 1 and 2, Dust: Zones 21 and 22

Suitable for use in food processing industries.

Protection: IP 65 and IP 67 to DIN EN 60529

Operating conditions:

Independent of the internal pressure/vacuum in vessel. Under no circumstances should a sight glass luminaire be used to close a vessel port or replace the cover flange or the sight glass/ luminaire assembly.

Lumiglas luminaires of this series are approved for use in ambient temperatures of up to 60°C, depending on the lamp bulb fitted.

Technical data Ex protection:

This luminaire meets the essential safety and health requirements which comply with the regulations for

a) Gas

EN 60079-0: 2006 General Requirements

EN 60079-1: 2007 Flame-proof Enclosures

Explosion group: IIC (includes IIA und IIB)

Temperature Class: T3/T4/T6/120°C (depending on wattage)

b) Dust

EN 61241-0: 2006 General Requirements

EN 61241-1: 2004 Protection by Enclosures

Temperature Class: T195/T130/T80/T120°C (depend. on wattage)

Certification: EC Type-Examination Cert. BVS 08 ATEX E 133 II



2G Ex d IIC T3/T4/T6/120°C

II 2D Ex tD A21 IP67 T195/T130/T80/T120°C

Voltage: Alternating/direct current, depending on lamp

Operating voltage:

Without integrated transformer:

12 V... Halogen lamp 5 W or 20 W

24 V... Halogen lamp 20 W

230 V... LED illuminant 4 W

With integrated transformer; PTC-protected:

120 V... Halogen lamp 12 V/5 W

230 V... Halogen lamp 12 V/5 W

Efficient lamp replacement thanks to threaded lens cover

Connecting cable: Factory-fitted cable is resin-cast in screwed cable gland for pressure-tight cable entry. Lengths: 2 m (standard), 5 m or 20 m



Lumiglas luminaire USL 05-LED-Ex



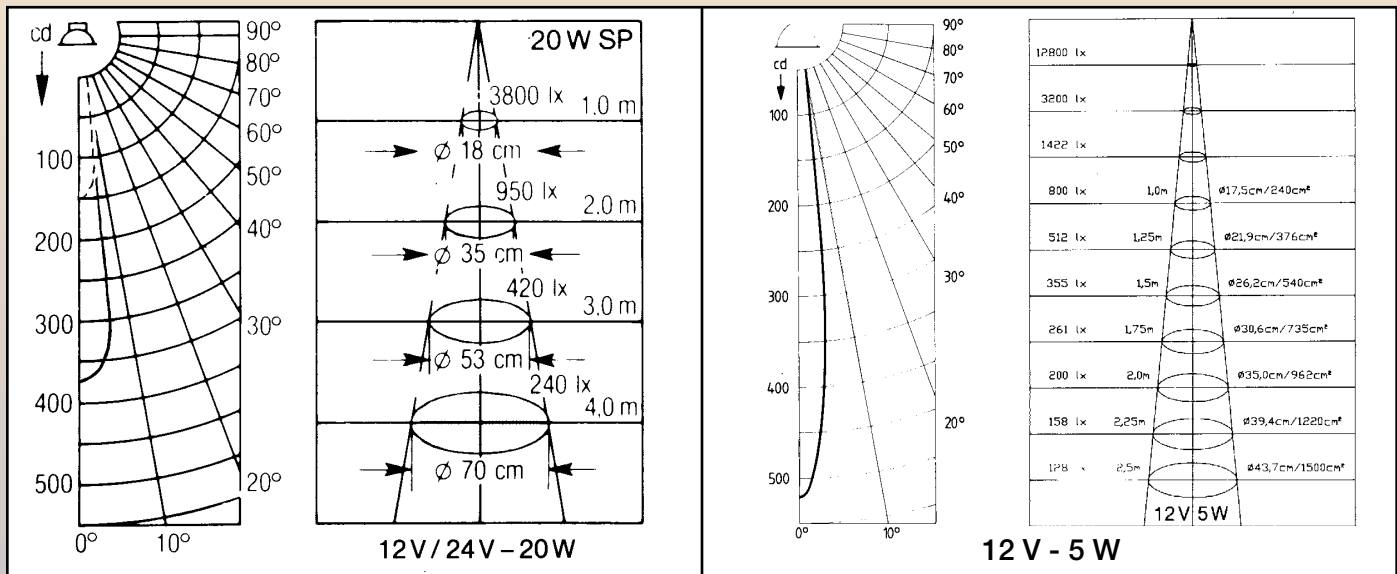
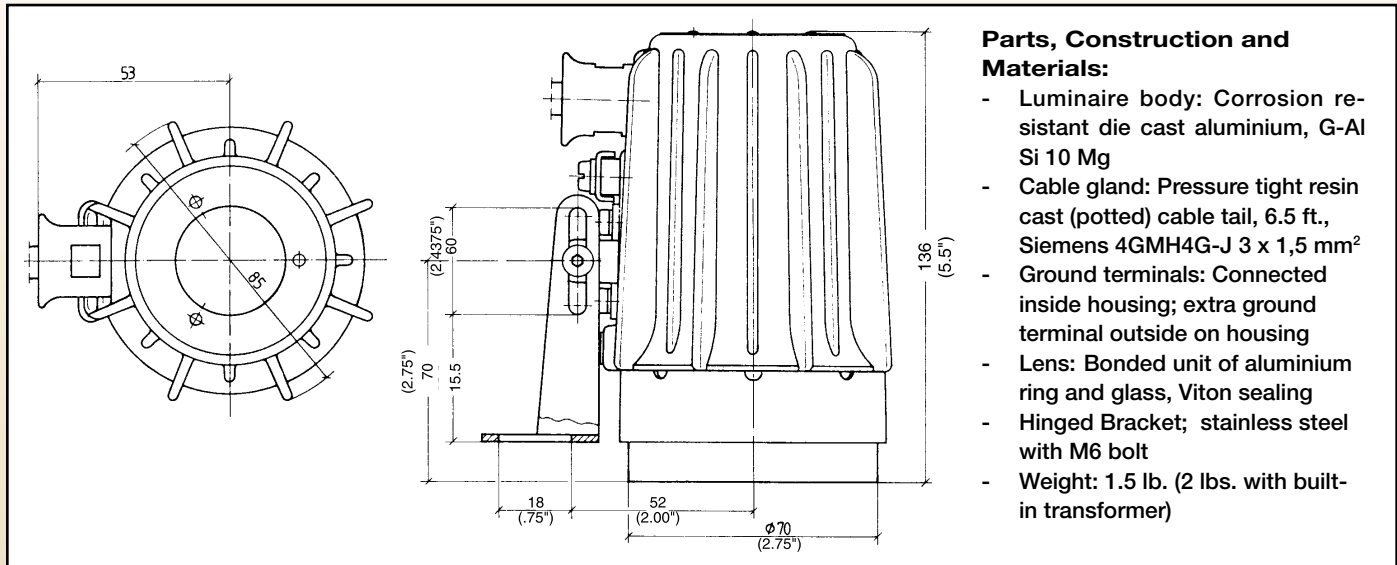
Combination light/sight glass assembly on circular sight glass fitting type DIN 28120; luminaire mounted with hinged bracket

Simple installation by means of special mounting bracket.

Type USL 05-Ex fits the following nominal sizes:

- Circular sight glass fittings to DIN 28120 size DN25 and larger
- ANSI/DIN Bolt-On size 2"/DN25 and larger
- Weld-Neck type MV (DIN11851) size DN65 and larger
- Sanitary Clamp Connection size 1" and larger
- Visual Flow Indicators size 1" and larger

Dimensions and Connection Data for Lumiglas Luminaire type USL 05-EX



Light spreading (cd) and illumination grade (lx)

| Item | Lumiglas Luminaire Model USL05-Ex | Net Volt | Integral Transformer | Halogen Lamp | | | Temperature class at max. ambient temp. | | | |
|------|-----------------------------------|----------|----------------------|--------------|-----------|---------------|---|--------|--------|--------|
| | | | | Socket | Voltage | part no. | G 40°C | D 40°C | G 60°C | D 60°C |
| 1 | (12 V) 5 W | 12 ≈ | No | G4 | 12 V/5 W | 05E0-A1ANAN0N | T6 | T80°C | T4 | T130°C |
| 2 | (120 V/12 V) 5 W | 120~ | Yes | G4 | 12 V/5 W | 05E0-A3ANAN0N | T6 | T80°C | T4 | T130°C |
| 3 | (230 V/12 V) 5 W | 230~ | Yes | G4 | 12 V/5 W | 05E0-A4ANAN0N | T6 | T80°C | T4 | T130°C |
| 4 | (12 V) 20 W | 12 ≈ | No | G4 | 12 V/20 W | 05E0-A1CNAN0N | T4 | T130°C | T3 | T195°C |
| 5 | (24 V) 20 W | 24 ≈ | No | G4 | 24 V/20 W | 05E0-A2CNAN0N | T4 | T130°C | T3 | T195°C |
| 6 | (230 V) 4 W-LED | 230 ≈ | No | GZ10 | 230 V/4 W | 05E0-A4KNAN0N | - | - | T6 | T80°C |

Ordering Information:

Please state for example: Lumiglas luminaire USL 05-EX, 24V/20W, PN: 05E0-A2CNANON



All dimensions in mm unless stated otherwise
Subject to change without prior notice