



The Premium Pump

LKH Centrifugal Pump

Applications

The LKH pump is a highly efficient and economical centrifugal pump, which meets the requirements of sanitary applications and thus gentle product treatment and high chemical resistance. LKH is available in the following sizes, LKH-5, -10, -15, -20, -25, -35, -40, -45, -50, -60, -70, -75 and -90

Standard design

The LKH pump consists of a standard motor, stub shaft, mechanical compression coupling (LKH-5 with set screws), adaptor, back plate, impeller, impeller screw, pump casing and shaft seal. (LKH-5 has clamp connection between pump casing and back plate). The LKH pump is designed for CIP with emphasis on large internal radii and cleanable seals to accommodate 3A requirements.

Shaft seals

The LKH pump is equipped with either an external single or a flushed shaft seal. Both have stationary seal rings made from acid-resistant SS steel, AISI 329. The pump may also be equipped with a double mechanical shaft seal. The static seal face is silicon carbide and the rotary seal face is carbon as standard and optional silicon carbide. The flush seal has a secondary, long life, lip seal.

Materials

Product wetted steel parts: Acid-resistant steel AISI 316L and AISI 329.
Other steel parts: Stainless steel AISI 304.
Finish: Polished $\leq 32Ra$. and 3A approved.
Product wetted elastomers, std: EPDM rubber.
Optional NBR, FPM, FEP.
Single seal SSS Sic/c or sic/sic.
Double seal DMSS: Primary sic/c or sic/sic.
Double seal DMSS: Secondary sic/c.

Technical data

Max. inlet pressure (dynamic)
LKH-5 87 PSI
LKH-10 - LKH-60 145 PSI
LKH-70 - LKH-90 72.52 PSI
Temperature range 14°F to +284° F (EPDM)
Noise level (at 3.3 ft.): 60 - 85 dB (A).

Flushed shaft seal

Water pressure inlet: Max. 14.5 PSI.
Water consumption: 4-8 usgph



LKH-10

Double mechanical shaft seal

Water pressure inlet, LKH-5 to -60: . . . Max. 72.5 PSI.
Water pressure inlet, LKH-70 to -90: . . . Max. 43.5 PSI.
Water consumption: 4-8 usgph

Connections for FSS and DMSS

R 1/8" (BSP) male thread.

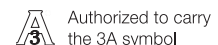
Motor

Standard C-faced, foot mounted motor according to NEMA standard. 3500 RPM or 1750 RPM. Standard efficiency, Class F. Note different frame sizes.

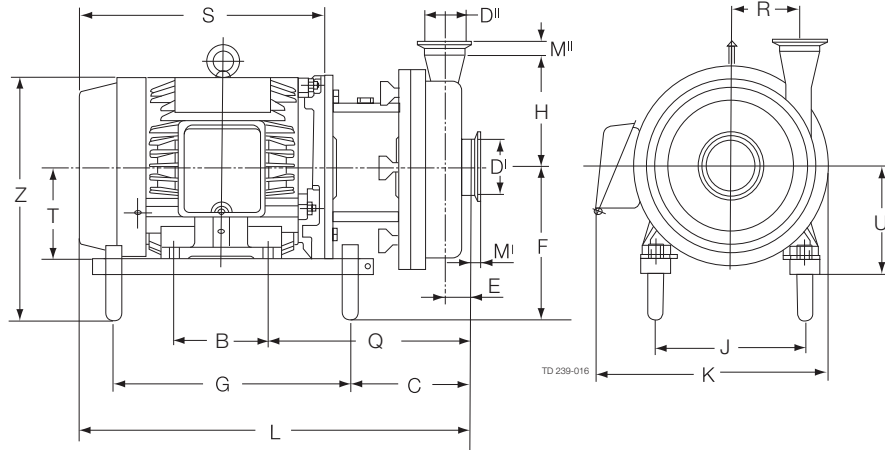
LKH-75 and -90 only low speed (1750 RPM).

Voltage and frequency

3 phase, 60 HZ, 230/460V standard. Other voltages and frequencies available upon request.



Dimensions (in)

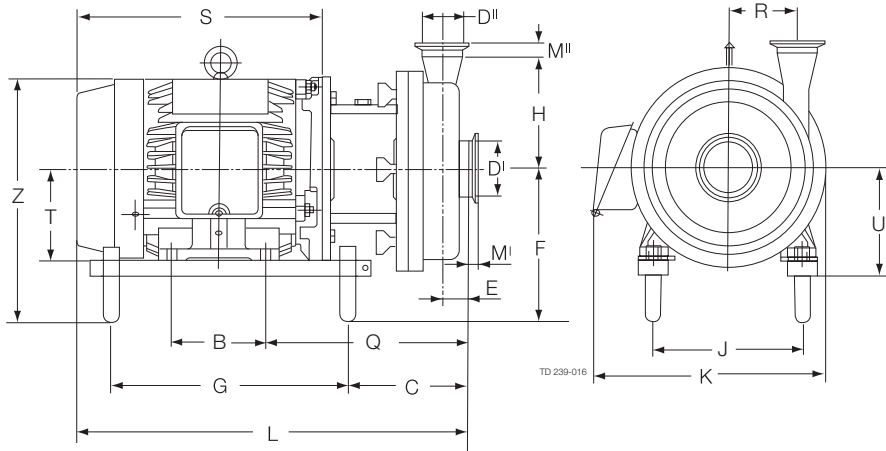


LKH-5 (3600 rpm)

Size	Motor-Sterling				
	1Hp	1.5HP	2Hp	3Hp	5Hp
B	5.00	5.00	5.00	5.50	5.50
C	6.42	6.42	6.42	7.64	7.64
E	0.87	0.87	0.87	0.87	0.87
F	6.18	6.18	6.18	7.18	7.18
G	9.38	9.38	9.38	12.50	12.50
H	6.22	6.22	6.22	6.22	6.22
J	5.51	5.51	5.51	7.48	7.48
Q	9.80	9.80	9.80	11.14	11.14
R	2.76	2.76	2.76	2.76	2.76
S	10.32	10.32	11.46	12.75	13.34
T	3.50	3.50	3.50	4.50	4.50
U	4.00	4.00	4.00	5.00	5.00
Z	9.68	9.68	9.68	11.40	11.40
K	10.00	10.00	10.00	11.22	11.22
L	17.24	17.24	18.38	20.90	21.49
Weight (lbs)	69.00	79.90	79.90	99.90	-

LKH-10 (3600 rpm)

Size	Motor-Sterling						
	1Hp	1.5HP	2Hp	3Hp	5Hp	7.5Hp	10Hp
B	5.00	5.00	5.00	5.50	5.50	5.50	5.50
C	6.04	6.04	6.04	7.28	7.28	8.81	8.81
E	0.91	0.91	0.91	0.91	0.91	0.91	0.91
F	6.18	6.18	6.18	7.18	7.18	7.93	7.93
G	9.38	9.38	9.38	12.50	12.50	14.00	14.00
H	5.79	5.79	5.79	5.79	5.79	5.79	5.79
J	5.51	5.51	5.51	7.48	7.48	8.50	8.50
Q	9.42	9.42	9.42	10.78	10.78	12.31	12.31
R	3.43	3.43	3.43	3.43	3.43	3.43	3.43
S	10.32	10.32	11.46	12.75	13.34	14.03	15.25
T	3.50	3.50	3.50	4.50	4.50	5.25	5.25
U	4.00	4.00	4.00	5.00	5.00	5.75	5.75
Z	9.68	9.68	9.68	11.40	11.40	13.31	13.31
K	10.39	10.39	10.39	11.32	11.32	13.02	13.02
L	16.86	16.86	18.00	20.53	21.12	23.56	24.78
Weight (lbs)	81.00	89.00	91.00	111.00	128.00	179.00	204.00



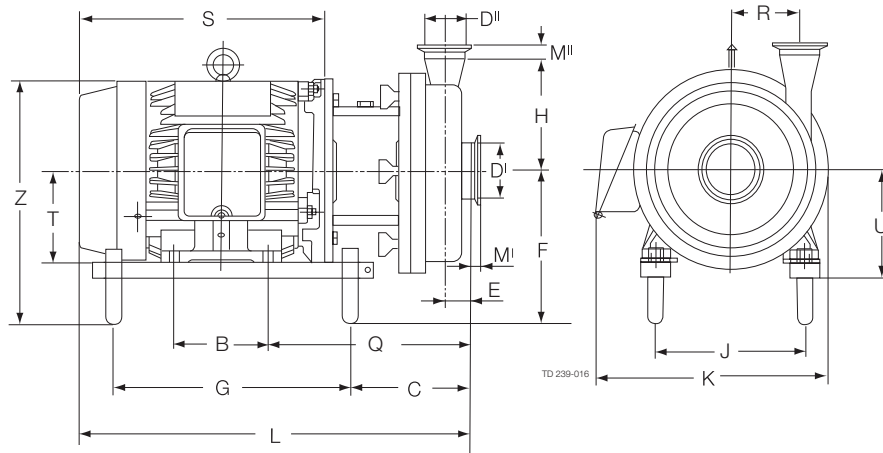
LKH-15 (3600 rpm)

Size	Motor-Sterling					
	2Hp	3Hp	5Hp	7.5Hp	10Hp	15Hp
B	5.00	5.50	5.50	5.50	5.50	8.25
C	7.17	8.66	8.66	10.20	10.20	12.72
E	1.69	1.69	1.69	1.69	1.69	1.69
F	6.18	7.18	7.18	7.93	7.93	8.93
G	9.38	12.50	12.50	14.00	14.00	14.50
H	6.54	6.54	6.54	6.54	6.54	6.54
J	5.51	7.48	7.48	8.50	8.50	10.00
Q	10.55	12.17	12.17	13.70	13.70	14.96
R	2.60	2.60	2.60	2.60	2.60	2.60
S	11.46	12.75	13.34	14.03	15.25	19.40
T	3.50	4.50	4.50	5.25	5.25	6.25
U	4.00	5.00	5.00	5.75	5.75	6.75
Z	9.68	11.40	11.40	13.31	13.31	15.33
K	10.39	11.54	11.54	13.00	13.00	17.30
L	19.13	21.93	22.52	24.96	26.18	29.96
Weight (lbs)	98.00	118.00	135.00	186.00	211.00	304.00

Dimensions (in)

LKH-20 (3600 rpm)

Size	Motor-Sterling						
	2Hp	3Hp	5Hp	7.5Hp	10Hp	15Hp	20Hp
B	5.00	5.50	5.50	5.50	5.50	8.25	8.25
C	6.52	7.75	7.75	9.28	9.28	11.78	11.78
E	1.06	1.06	1.06	1.06	1.06	1.06	1.06
F	6.18	7.18	7.18	7.93	7.93	8.93	8.93
G	9.38	12.50	12.50	14.00	14.00	14.50	14.50
H	7.09	7.09	7.09	7.09	7.09	7.09	7.09
J	5.51	7.48	7.48	8.50	8.50	10.00	10.00
Q	9.90	11.25	11.25	12.78	12.78	14.03	14.03
R	3.46	3.46	3.46	3.46	3.46	3.46	3.46
S	11.46	12.75	13.34	14.03	15.25	19.40	21.10
T	3.50	4.50	4.50	5.25	5.25	6.25	6.25
U	4.00	5.00	5.00	5.75	5.75	6.75	6.75
Z	9.68	11.40	11.40	13.31	13.31	15.33	15.33
K	10.51	11.44	11.44	13.02	13.02	17.30	17.30
L	18.48	21.00	21.59	24.03	25.25	29.03	30.73
Weight (lbs)	95.00	115.00	132.00	183.00	208.00	301.00	-



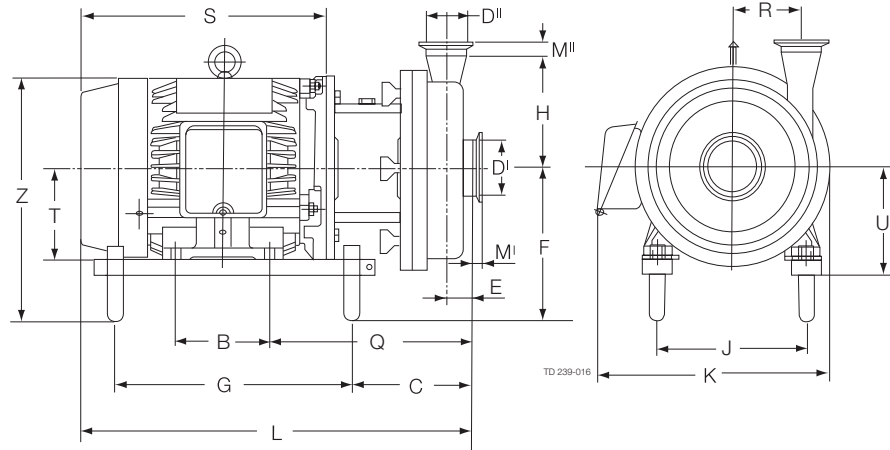
LKH-25 (3600 rpm)

Size	Motor-Sterling							
	3Hp	5Hp	7.5Hp	10Hp	15Hp	20Hp	25Hp	30Hp
B	5.50	5.50	5.50	5.50	8.25	8.25	10.00	10.00
C	7.96	7.96	9.49	9.49	12.00	12.00	12.46	12.46
E	1.26	1.26	1.26	1.26	1.26	1.26	1.26	1.26
F	7.18	7.18	7.93	7.93	8.93	8.93	9.68	9.68
G	12.50	12.50	14.00	14.00	14.50	14.50	15.51	15.51
H	7.60	7.60	7.60	7.60	7.60	7.60	7.60	7.60
J	7.48	7.48	8.50	8.50	10.00	10.00	11.00	11.00
Q	11.47	11.47	12.99	12.99	14.24	14.24	14.70	14.70
R	4.17	4.17	4.17	4.17	4.17	4.17	4.17	4.17
S	12.75	13.34	14.03	15.25	19.40	21.10	22.28	23.78
T	4.50	4.50	5.25	5.25	6.25	6.25	7.00	7.00
U	5.00	5.00	5.75	5.75	6.75	6.75	7.50	7.50
Z	11.40	11.40	13.31	13.31	15.33	15.33	17.51	17.51
K	12.42	12.42	13.61	13.61	17.30	17.30	21.24	21.24
L	21.22	21.81	24.25	25.47	29.25	30.95	32.13	33.63
Weight (lbs)	125.00	142.00	193.00	218.00	311.00	361.00	442.00	473.00

LKH-35 (3600 rpm)

Size	Motor-Sterling							
	3Hp	5Hp	7.5Hp	10Hp	15Hp	20Hp	25Hp	30Hp
B	5.50	5.50	5.50	5.50	8.25	8.25	10.00	10.00
C	7.37	7.37	8.90	8.90	11.41	11.41	11.87	11.87
E	0.91	0.91	0.91	0.91	0.91	0.91	0.91	0.91
F	7.18	7.18	7.93	7.93	8.93	8.93	9.68	9.68
G	12.50	12.50	14.00	14.00	14.50	14.50	15.51	15.51
H	7.60	7.60	7.60	7.60	7.60	7.60	7.60	7.60
J	7.48	7.48	8.50	8.50	10.00	10.00	11.00	11.00
Q	10.88	10.88	12.41	12.41	13.65	13.65	14.11	14.11
R	4.69	4.69	4.69	4.69	4.69	4.69	4.69	4.69
S	12.75	13.34	14.03	15.25	19.40	21.10	22.28	23.78
T	4.50	4.50	5.25	5.25	6.25	6.25	7.00	7.00
U	5.00	5.00	5.75	5.75	6.75	6.75	7.50	7.50
Z	11.40	11.40	13.31	13.31	15.33	15.33	17.51	17.51
K	12.42	12.42	13.60	13.60	17.30	17.30	21.24	21.24
L	20.63	21.22	23.66	24.88	28.66	30.36	31.54	33.04
Weight (lbs)	121.00	138.00	189.00	214.00	307.00	357.00	438.00	469.00

Dimensions (in)



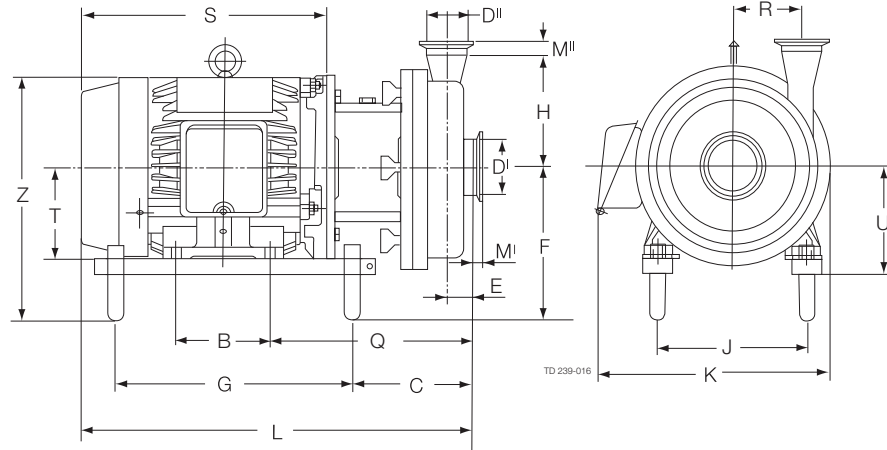
LKH-40 (3600 rpm)

Size	Motor-Sterling							
	3Hp	5Hp	7.5Hp	10Hp	15Hp	20Hp	25Hp	30Hp
B	5.50	5.50	5.50	5.50	8.25	8.25	10.00	10.00
C	7.79	7.79	9.32	9.32	11.82	11.82	12.28	12.28
E	1.10	1.10	1.10	1.10	1.10	1.10	1.10	1.10
F	7.18	7.18	7.93	7.93	8.93	8.93	9.68	9.68
G	12.50	12.50	14.00	14.00	14.50	14.50	15.51	15.51
H	8.35	8.35	8.35	8.35	8.35	8.35	8.35	8.35
J	7.48	7.48	8.50	8.50	10.00	10.00	11.00	11.00
Q	11.29	11.29	12.82	12.82	14.07	14.07	14.53	14.53
R	4.96	4.96	4.96	4.96	4.96	4.96	4.96	4.96
S	12.75	13.34	14.03	15.25	19.40	21.10	22.28	23.78
T	4.50	4.50	5.25	5.25	6.25	6.25	7.00	7.00
U	5.00	5.00	5.75	5.75	6.75	6.75	7.50	7.50
Z	11.40	11.40	13.31	13.31	15.33	15.33	17.51	17.51
K	12.95	12.95	14.12	14.12	17.30	17.30	21.24	21.24
L	21.04	21.63	24.07	25.29	29.07	30.77	31.95	33.45
Weight (lbs)	130.00	147.00	198.00	223.00	316.00	366.00	447.00	487.00

LKH-45 (3600 rpm)

Size	Motor-Sterling							
	3Hp	5Hp	7.5Hp	10Hp	15Hp	20Hp	25Hp	30Hp
B	5.50	5.50	5.50	5.50	8.25	8.25	10.00	10.00
C	8.52	8.52	10.05	10.05	12.55	12.55	13.01	13.01
E	1.59	1.59	1.59	1.59	1.59	1.59	1.59	1.59
F	7.18	7.18	7.93	7.93	8.93	8.93	9.68	9.68
G	12.50	12.50	14.00	14.00	14.50	14.50	15.51	15.51
H	7.60	7.60	7.60	7.60	7.60	7.60	7.60	7.60
J	7.48	7.48	8.50	8.50	10.00	10.00	11.00	11.00
Q	12.02	12.02	13.55	13.55	14.49	14.49	15.25	15.25
R	3.88	3.88	3.88	3.88	3.88	3.88	3.88	3.88
S	12.75	13.34	14.03	15.25	19.40	21.10	22.28	23.78
T	4.50	4.50	5.25	5.25	6.25	6.25	7.00	7.00
U	5.00	5.00	5.75	5.75	6.75	6.75	7.50	7.50
Z	11.40	11.40	13.31	13.31	15.33	15.33	17.51	17.51
K	12.42	12.42	13.60	13.60	17.30	17.30	21.24	21.24
L	21.77	22.36	24.80	26.02	29.80	31.50	32.68	34.18
Weight (lbs)	127.00	144.00	195.00	220.00	313.00	363.00	444.00	475.00

Dimensions (in)



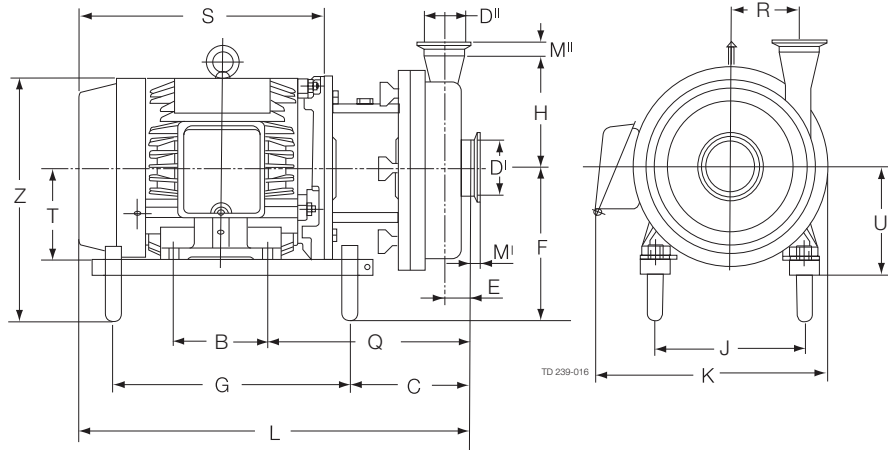
LKH-50 (3600 rpm)

Size	Motor-Sterling							
	3Hp	5Hp	7.5Hp	10Hp	15Hp	20Hp	25Hp	30Hp
B	5.50	5.50	5.50	5.50	8.25	8.25	10.00	10.00
C	8.29	8.29	9.82	9.82	12.32	12.32	12.78	12.78
E	1.38	1.38	1.38	1.38	1.38	1.38	1.38	1.38
F	7.18	7.18	7.93	7.93	8.93	8.93	9.68	9.68
G	12.50	12.50	14.00	14.00	14.50	14.50	15.51	15.51
H	8.07	8.07	8.07	8.07	8.07	8.07	8.07	8.07
J	7.48	7.48	8.50	8.50	10.00	10.00	11.00	11.00
Q	11.79	11.79	13.32	13.32	14.57	14.57	15.03	15.03
R	4.65	4.65	4.65	4.65	4.65	4.65	4.65	4.65
S	12.75	13.34	14.03	15.25	19.40	21.10	22.28	23.78
T	4.50	4.50	5.25	5.25	6.25	6.25	7.00	7.00
U	5.00	5.00	5.75	5.75	6.75	6.75	7.50	7.50
Z	11.40	11.40	13.31	13.31	15.33	15.33	17.51	17.51
K	12.95	12.95	14.12	14.12	17.30	17.30	21.24	21.24
L	21.54	22.13	24.57	25.79	29.57	31.27	32.45	33.95
Weight (lbs)	130.00	147.00	198.00	223.00	316.00	366.00	447.00	487.00

LKH-60 (3600 rpm)

Size	Motor-Sterling							
	7.5Hp	10Hp	15Hp	20Hp	25Hp	30Hp	40Hp	50Hp
B	5.50	5.50	8.25	8.25	10.00	10.00	10.50	10.50
C 4x4	10.96	10.96	13.47	13.47	13.93	13.95	10.55	10.55
C 6x4	12.55	12.55	15.05	15.05	15.51	15.51	12.14	12.14
E 4x4	2.66	2.66	2.66	2.66	2.66	2.66	2.66	2.66
E 6x4	4.25	4.25	4.25	4.25	4.25	4.25	4.25	4.25
F	7.93	7.93	8.93	8.93	9.68	9.68	11.23	11.23
G	14.00	14.00	14.50	14.50	15.51	15.51	21.00	21.00
H	10.29	10.29	10.29	10.29	10.29	10.29	10.29	10.29
J	8.50	8.50	10.00	10.00	11.00	11.00	12.50	12.50
Q 4x4	14.46	14.46	15.71	15.71	16.17	16.17	16.57	16.57
Q 6x4	16.05	16.05	17.29	17.29	17.75	17.75	18.15	18.15
R	3.95	3.95	3.95	3.95	3.95	3.95	3.95	3.95
S	14.03	15.25	19.40	21.10	22.28	23.78	24.57	24.07
T	5.25	5.25	6.25	6.25	7.00	7.00	8.00	8.00
U	5.75	5.75	6.75	6.75	7.50	7.50	8.79	8.79
Z	13.31	13.31	15.33	15.33	17.51	17.51	19.89	19.89
K	14.12	14.12	17.30	17.30	21.24	21.24	23.03	23.03
L 4x4	24.24	25.46	30.72	32.42	33.60	35.10	35.89	35.39
L 6x4	25.83	27.05	32.30	34.00	35.18	36.68	37.47	36.97
Weight (lbs)	209.00	228.00	321.00	371.00	452.00	483.00		

Dimensions (in)



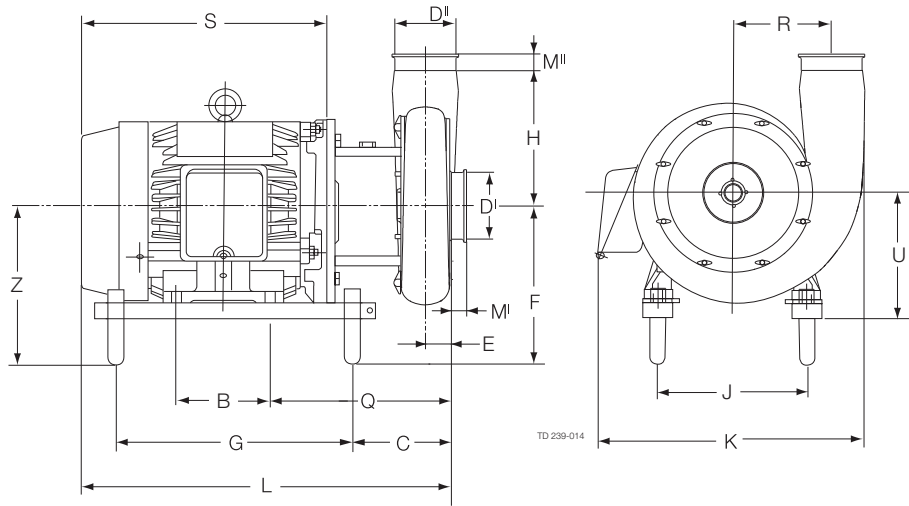
LKH-70 (3600 rpm)

Size	Motor-Sterling								
	15Hp	20Hp	25Hp	30Hp	40Hp	50Hp	60Hp	75Hp	100Hp
B	8.25	10.00	9.50	11.00	10.50	12.00	11.25	12.25	13.75
C	11.87	11.87	12.38	12.38	12.13	12.13	12.13	12.13	12.87
E	0.98	0.98	0.98	0.98	0.98	0.98	0.98	0.98	0.98
F	7.88	7.88	8.63	8.63	12.92	12.92	13.92	13.92	14.92
G	14.50	14.50	15.50	15.50	21.00	21.00	21.00	21.00	21.00
H	10.00	10.00	10.00	10.00	10.00	10.00	10.00	10.00	10.00
J	10.00	10.00	11.00	11.00	12.50	12.50	14.00	14.00	16.00
Q	14.13	14.13	14.62	14.62	15.13	15.13	15.75	15.75	16.50
R	5.79	5.79	5.79	5.79	5.79	5.79	5.79	5.79	5.79
S	19.4	21.1	22.27	23.77	24.45	26.07	26.67	27.65	33.87
T	6.25	6.25	7.00	7.00	8.00	8.00	9.00	9.00	10.00
U	6.88	6.88	7.63	7.63	8.79	8.79	9.79	9.79	10.79
Z	14.14	14.14	16.6	16.6	20.67	20.67	23.17	23.17	24.53
K	18.53	18.53	19.91	19.91	21.03	21.03	22.03	22.03	24.03
L	29.28	30.98	32.14	33.64	34.34	35.95	36.54	37.52	43.75
Weight (lbs)	-	-	-	-	-	-	-	-	-

LKH-75 (1800 rpm)

Size	Motor-Sterling					
	15Hp	20Hp	25Hp	30Hp	40Hp	50Hp
B	8.25	10.00	9.50	11.00	10.50	12.00
C	10.96	12.71	11.71	13.21	9.94	9.94
E	2.42	2.42	2.42	2.42	2.42	2.42
F	7.88	7.88	8.63	8.63	12.92	12.92
G	14.50	14.50	15.50	15.50	21.00	21.00
H	12.80	12.80	12.80	12.80	12.80	12.80
J	10.00	10.00	11.00	11.00	12.50	12.50
Q	14.96	14.96	15.46	15.46	15.96	16.59
R	9.84	9.84	9.84	9.84	9.84	9.84
S	19.4	21.1	22.27	23.77	24.45	26.07
T	6.25	6.25	7.00	7.00	8.00	8.00
U	6.88	6.88	7.63	7.63	8.79	8.79
Z	14.14	14.14	16.6	16.6	20.67	20.67
K	20.01	20.01	22.61	22.61	23.58	23.58
L	30.11	31.81	32.98	34.48	35.17	37.41
Weight (lbs)	-	-	-	-	-	-

Dimensions (in)
(900315/0)



LKH-90 (1800 rpm)

Size	Motor-Sterling					
	30Hp	40Hp	50Hp	60Hp	75Hp	100Hp
B	11.00	10.50	12.00	11.25	12.25	13.75
C	9.37	9.86	9.86	12.88	12.88	13.87
E	2.56	2.56	2.56	2.56	2.56	2.56
F	11.92	12.92	12.92	13.92	13.92	14.92
G	15.50	21.00	21.00	21.00	21.00	21.00
H	12.20	12.20	12.20	12.20	12.20	12.20
J	11.00	12.50	12.50	14.00	14.00	16.00
Q	15.37	15.87	15.87	16.50	16.50	17.49
R	9.84	9.84	9.84	9.84	9.84	9.84
S	23.77	24.45	26.07	26.67	27.65	33.87
T	7.00	8.00	8.00	9.00	9.00	10.00
U	8.38	8.79	8.79	9.79	9.79	10.79
Z	19.89	20.89	20.89	23.17	23.17	24.53
K	26.16	27.48	27.48	30.44	30.44	33.99
L	34.39	35.08	36.69	37.29	38.27	44.74
Weight (lbs)	939	974	1084	1236	1424	1497

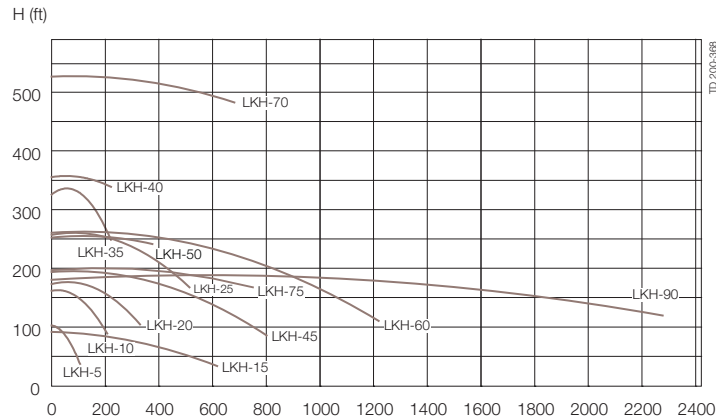
Inlet/Outlet Connections - Tri-Clamp® (inches)

Refer to dimensional drawings

	LKH-5	LKH-10, -20 LKH-35	LKH-25	LKH-40	LKH-15, -45 LKH-50,-70	LKH-60,-75	LKH-60,	LKH-90
D ^I	2.00	2.50	3.00	3.00	4.00	4.00	6.00	6.00
D ^{II}	1.50	2.00	2.50	2.00	3.00	4.00	4.00	6.00
M ^I	1.13	1.13	1.13	1.13	1.13	1.13	1.50	1.5
M ^{II}	1.13	1.13	1.13	1.13	1.13	1.13	1.13	1.5

*= LKH-60, are with reducer on D^I

Technical Data Volumetric Flow



Options Equipment

- Impeller with reduced diameter.
- Motor for other voltage and/or frequency.
- Motor enclosures: washdown, TEFC, explosion proof, inverter duty and others upon request.
- Inducer (only LKH-10 to -50)
- Flushed shaft seal.
- Double mechanical shaft seal.
- Counter flanges, seal rings and bolts for flanged connections (industrial version).
- Standard clearance is 0.02" (0.04" for LKH-70 to LKH-90) and can be made up to 0.098").

Material grades

- Product wetted seals of Buna (NBR), Fluoroelastomer (FPM) or FEP.
- Rotating seal ring of silicon carbide.

Ordering

Please state the following when ordering:


- Pump size.
- Version, sanitary or industrial.
- Connections.
- Seal and Elastomer Type
- Impeller diameter.
- Motor size.
- Voltage and frequency.
- Flow, pressure and temperature.
- Density and viscosity of the product.
- Options.

ESE00263ENUS 0810

The information contained herein is correct at the time of issue,
but may be subject to change without prior notice.

How to contact Alfa Laval

Contact details for all countries
are continually updated on our website.
Please visit www.alfalaval.us to
access the information direct.

 Authorized to carry
the 3A symbol